

**HT4 STREACOM
USER GUIDE**

Page

2.....	Index, Foreword
3.....	Product Overview
4.....	Overview of Assembly Without HT4 Installed
5.....	Exploded View of Assembly
6.....	Assembling the HT4
7.....	Installing the CPU Cooler Assembly

Foreword

Thank you for your purchase of this Streacom product, every care has been taken to ensure that it meets with the high standards that we have set for ourselves.

Should you have any questions that are not covered in this user guide, support can be offered via email through our website at www.streacom.com

We sincerely hope that you enjoy using our product!

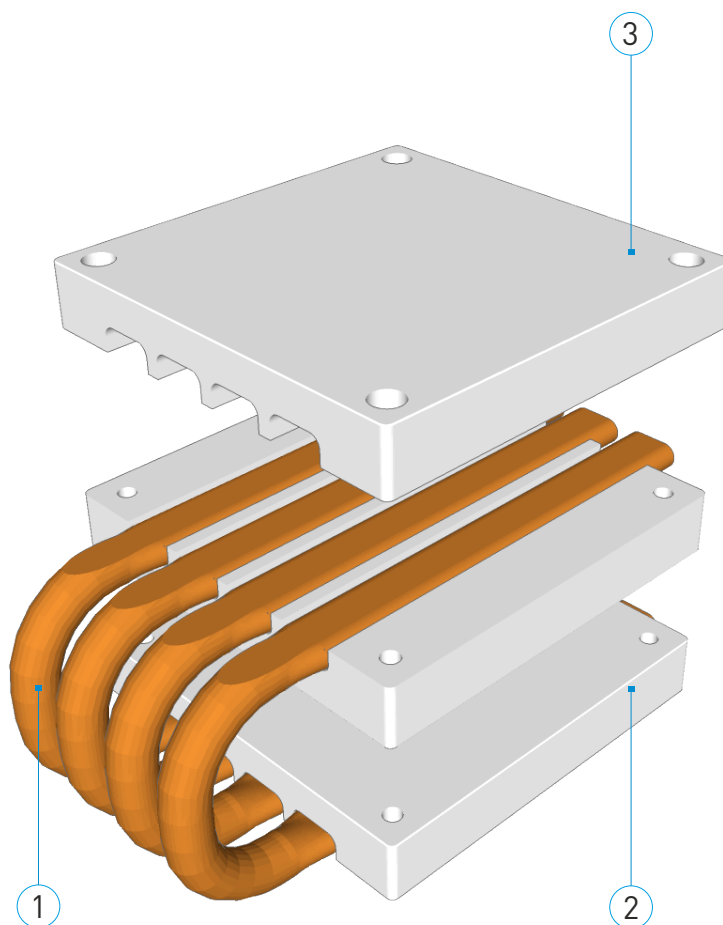


Specification

Number of Heatpipes	4
Heatpipe Diameter	6mm
Additional Motherboard Clearance	32mm
Compatible Chassis	FC9, FC10
Compatible CPU Sockets	Intel® 1366, 1155, 1156, 2011, AMD® AM2+, AM3+, FM1, FM2
Connector Block Material	Aluminium

What's Included in the Kit

- 1 x HT4 Thermal Riser
- 1 x Upper HT4 Mount
- 1 x 1g Tube of ICE5 Thermal Paste
- 4 x Hex Screw M3 x 8

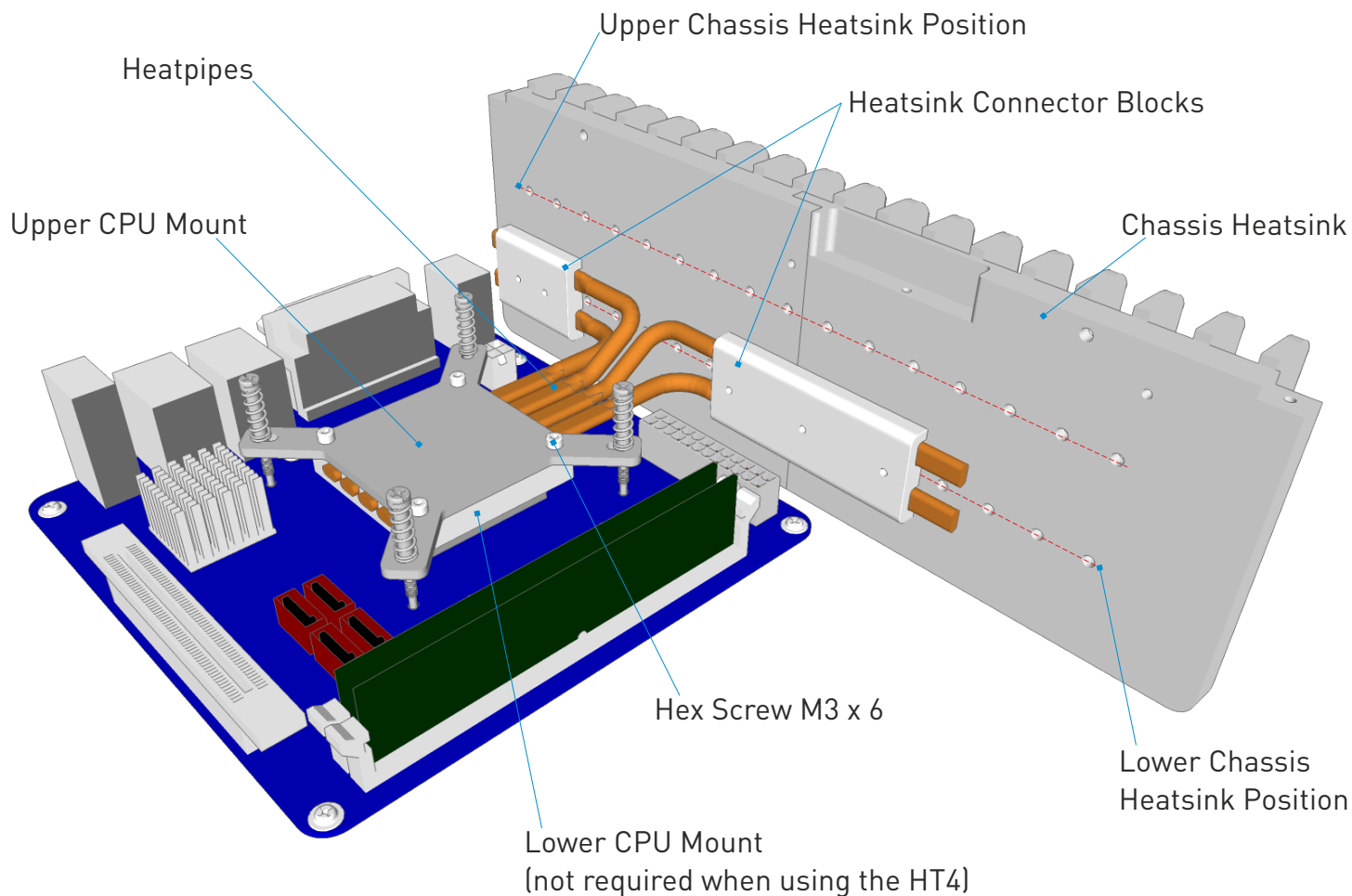


Key Features

- 1..... Heatpipe
- 2..... CPU Mount
- 3..... HT4 Upper Mount

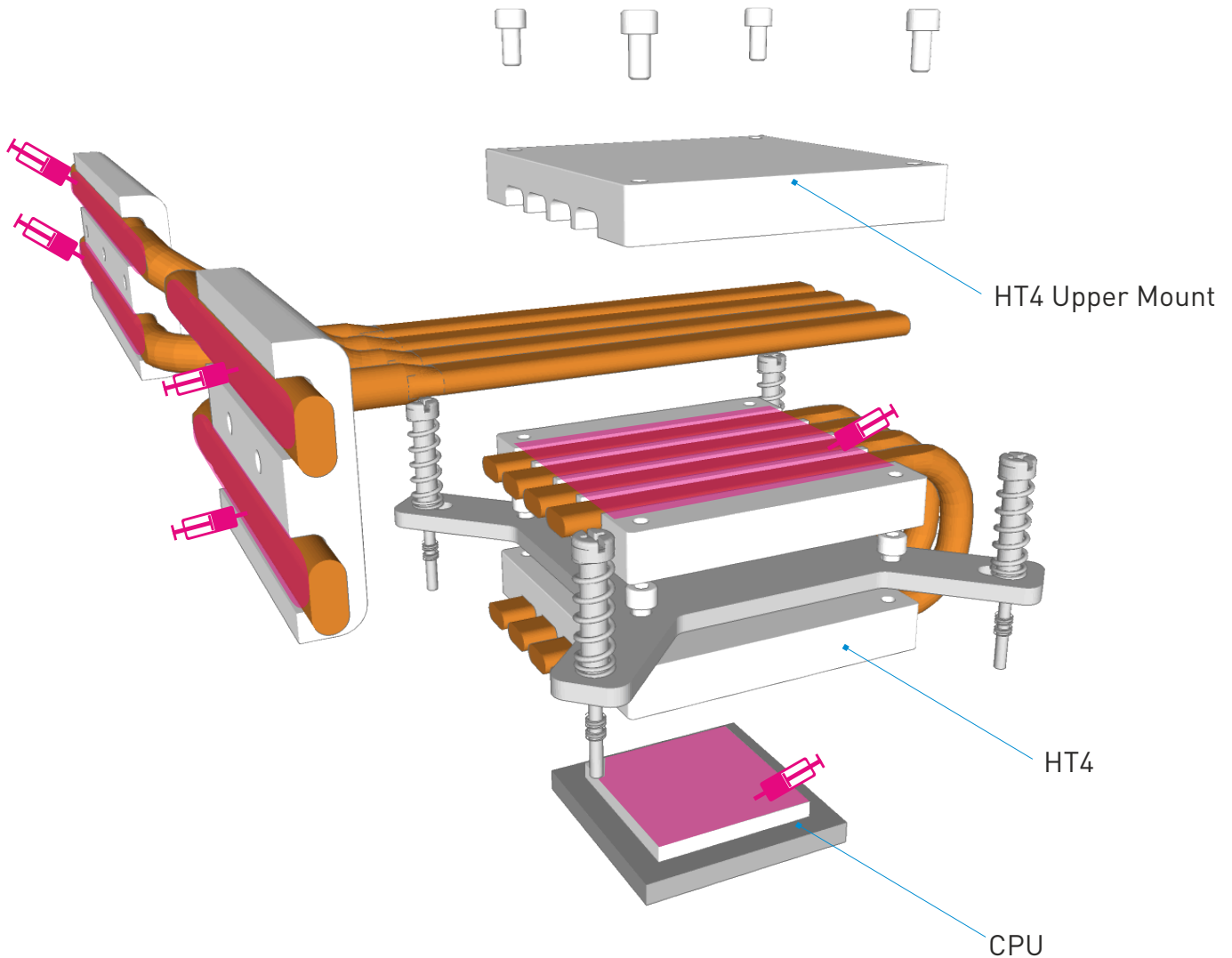
Overview of Assembly Without HT4

Below is a picture showing typical assembly without using the HT4. It is important to become familiar with all the parts and assembly of this in order to understand the usage and fitting of the HT4. Note that all of these parts are already supplied with your chassis. The HT4 will allow the heatpipes and connector blocks to fix to the upper heatsink position.



Exploded View of Assembly

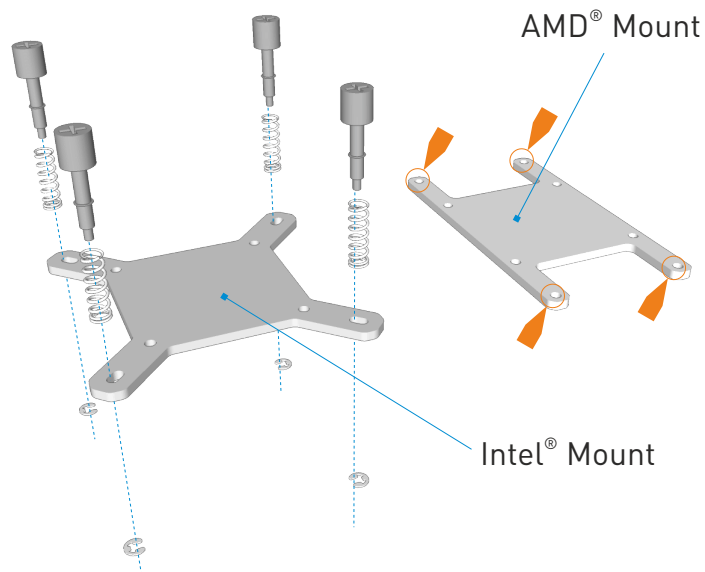
Below is an exploded view of the HT4 assembly which indicates where to apply thermal paste. Note that the Lower CPU Mount is not longer required for the assembly and that the copper heatpipes of the HT4 make direct contact with the CPU.



Assemble the Upper CPU Mount

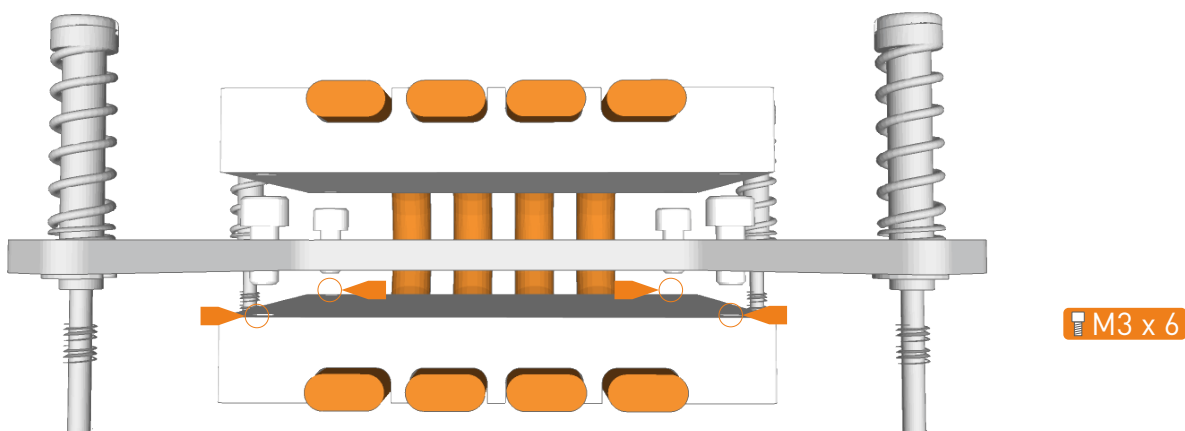
Depending on which type of motherboard and CPU socket you have purchased, you will either need to assemble the Intel® or AMD® type upper CPU mount. You do not need to assemble both.

The mount is assembled as shown with the long CPU retention screws, springs and C clips attached to the outer arms of the mount.



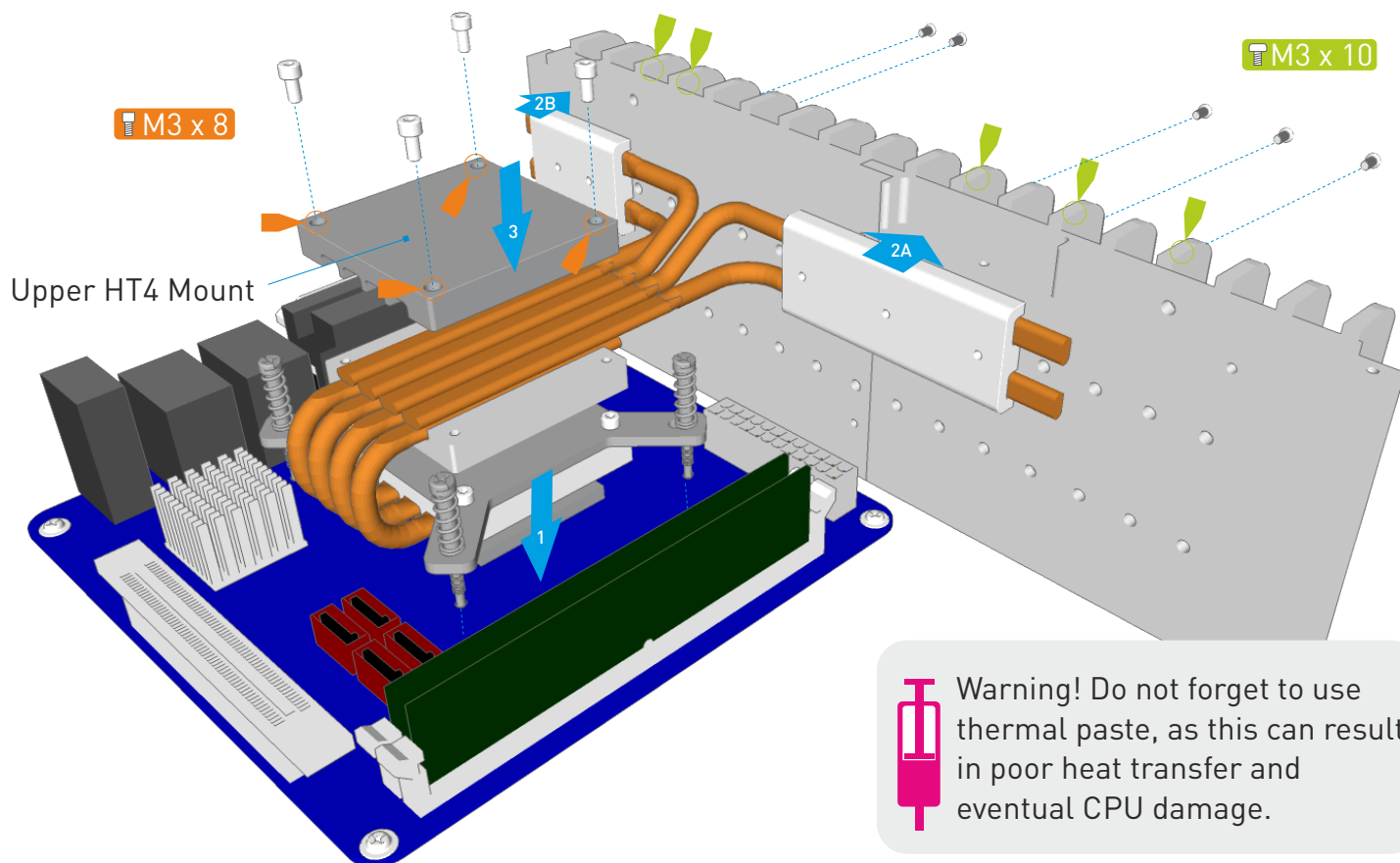
Fix the Upper CPU Mount to the HT4

Using the 4 Hex screws and allen key supplied with your chassis, fix the assembled upper CPU mount to the HT4. Both sides of the HT4 are identical, so it does not matter which side you choose.



Installing the CPU Cooler Assembly

1. Fix the HT4 to the motherboard using the 4 spring loaded screws and ensure they correctly align with the CPU cooler mounting nuts (refer to your chassis user guide), carefully tighten each screw (one turn each side, alternating sides) until fully secured.
2. Attach the heatsink connector blocks and heatpipes to the chassis. Fit one side at a time, 2 heatpipes for each side. Secure the connector blocks with screws ensuring the heatpipes align and sit flat against the upper surface of the HT4. Do not fully tighten the screws to allow for some small movement.
3. Complete the assembly by fixing the upper HT4 mount to the top of the HT4. Ensure that the heatpipes align with the slots and firmly press the upper and lower heatpipes together. You can now fully tighten all the screws.



Warning! Do not forget to use thermal paste, as this can result in poor heat transfer and eventual CPU damage.

STREACOM™