

ZALMAN

COOL INNOVATIONS

ATX MID TOWER PC CASE

Z^{U3} Z9



Ver 1.0

한 글
ENGLISH

User's Manual

English

1 Cautionary Note

- 1) Please read this manual thoroughly prior to installation.
- 2) Before installing, check the components and condition of the product, and if any problem is found, contact the retailer.
- 3) Avoid inserting objects or hands into the system while it is in operation to prevent product damage and injuries.
- 4) Check the manual when connecting cables. Incorrect connections may cause short circuits leading to fire hazards.
- 5) Do not block the front intake vent or the rear exhaust vent.
- 6) Keep this unit away from heat sources, direct sunlight, water, oil, and humid environments, and place the unit on a flat, stable, vibration-free, and well-ventilated area.
- 7) Do not clean the product surface with chemicals or wet cloth. (chemicals: industrial brightener, wax, benzene, alcohol, paint thinner, mosquito repellent, aromatics, lubricant, detergent etc.)
- 8) Please wear gloves while handling this product to prevent injuries.
- 9) Product design and specifications may be revised to improve quality and performance.

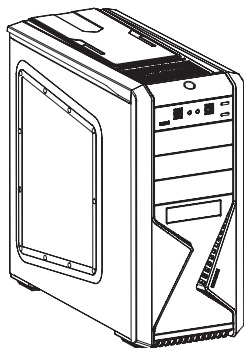
Disclaimer) Zalman Tech Co., Ltd. is not responsible for any damages due to external causes, including but not limited to, improper use, problems with electrical power, accident, neglect, alteration, repair, improper installation, or improper testing.

2 Product Details

(1) Specifications

Models		Z9 U3
Type		ATX Mid Tower
Dimensions (W×H×D)		207(W) x 464(H) x 504(D)mm (8.1 x 18.2 x 19.8")
Weight		7.2kg (15.8 lb)
Materials		Plastic, Steel
Color		Black
Motherboard Compatibility		Standard ATX / m-ATX
Power Supply Compatibility		Standard ATX / ATX12V
PCI/AGP Card Compatibility		Full Size 290mm (11.4")
Drive Bays	5.25"	External Bay x 3
	3.5"	External Bay x 1, Internal Bay x 5
	5.25"/3.5"/2.5"	1 (3in-1)
	Hot-swap	-
Expansion Card Slots		7 Slots
I/O Ports		Headphones x 1, USB 2.0 x 2, Mic x 1, USB 3.0 x 2
Cooling Components	Front	120mm/140mm Fan Vent x 1 (1 Fan included)
	Top	120mm/140mm Fan Vent x 2 (1 Fan included, 1 optional)
	Rear	120mm Fan Vent x 1 (1 Fan included)
	Side	-
	Bottom	120mm/140mm Fan Vent x 1 (Fan optional)

(2) Parts



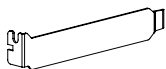
Main Unit



User manual



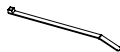
Stand-Off × 5

Bolt A(#6-32*6mm) × 11
[PSU, PCI]Bolt B(M3*5mm) × 17
[M/B, FDD, SSD]Bolt C(M3*6mm) × 12
[5.25" Bay ODD]Bolt D(#6-32*4mm) × 20
[3.5" Bay HDD]Bolt E(#6-32*6mm) × 5
[3.5" HDD]HDD Anti-vibration rubber
× 20
[3.5" Bay HDD]

PCI Slot × 2



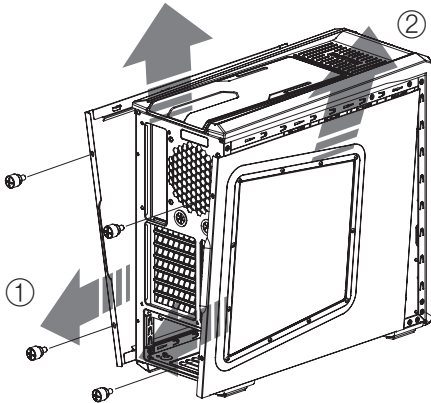
CPU 12V Extension Cable × 1



Cable Tie × 5

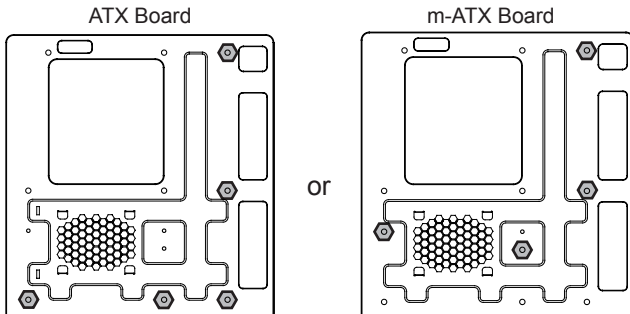
3 Installation



(1) Side Panel Removal



(2) Motherboard Installation

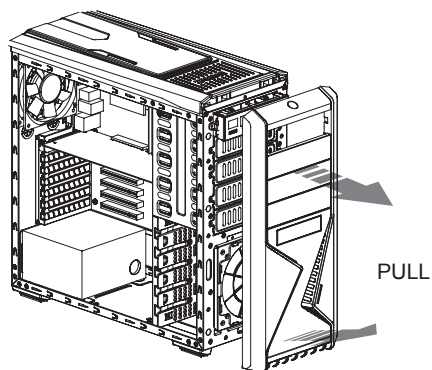
There are 4 Stand Offs preinstalled. Please refer to the diagrams below for additional Stand Off positions (based on motherboard type).



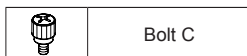
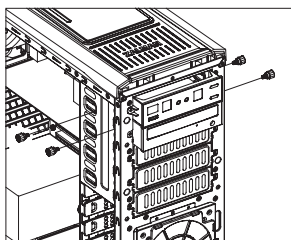
	Stand-Off
	B Bolt

(3) 5.25" and 3.5" Drive Installation

1) Front Cover Removal

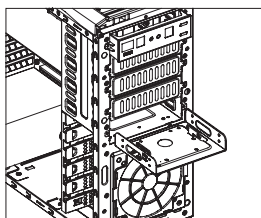
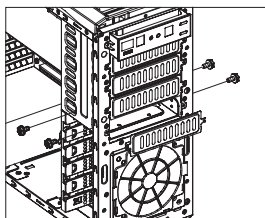


2) ODD Installation



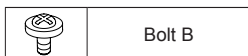
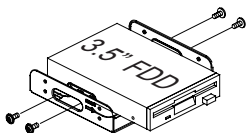
3) 2.5" / 3.5" Tray Installation

① Tray removal

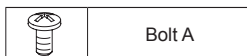
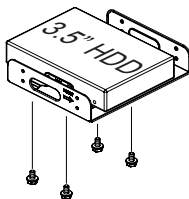


② Attach Drive to Tray

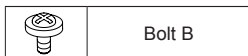
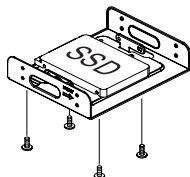
A. 3.5" FDD Installation



B. 3.5" HDD Installation



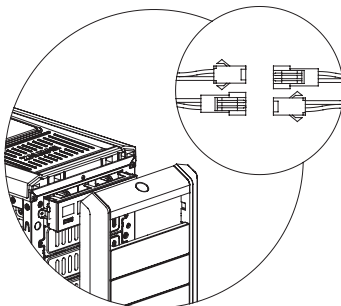
C. 2.5" SSD Installation



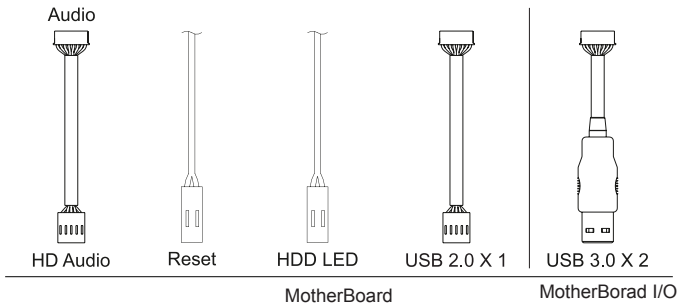
(4) Front Cover Installation



When removing the front cover, the power switch and extension cable are separated to prevent disconnection. Be sure to connect them before installing the front cover.



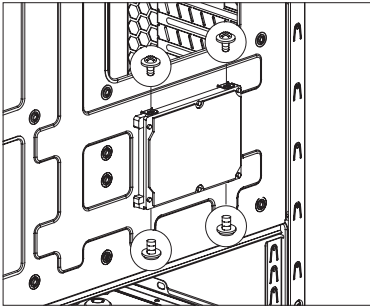
I/O Port



※ Power and I / O ports to connect please refer to your motherboard. manual.

(7) 2.5" HDD / SSD Optional

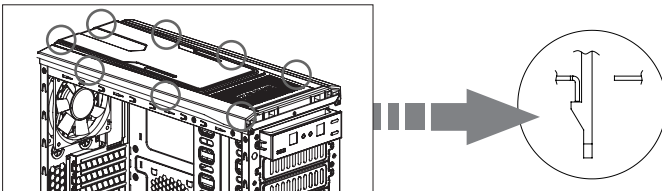
2.5" HDD and SSDs can be installed on the right side of case as shown in the diagram below.



(8) Optional Fan Installation and Replacement

Top Panel Fan (120/140 mm) Installation

When installing fan, press the Top Panel's eight Hook's towards each other to remove and install as shown in diagram below. The Z9U3 comes with one 120mm Fan pre-installed.





Zalman Tech Co., Ltd.

#1007 daeryung Techno Town III, 448 Gasan-dong, Gumchun-gu, Seoul, 153-803, Korea
Tel: +82-2-2107-3232 / Fax: +82-2-2107-3322 / www.zalman.com / e-mail: zalman@zalman.com

Zalman USA, Inc.

10531 Garden Grove Blvd., Garden Grove, CA 92843, U.S.A
Tel: +1-714-530-0700 / Fax: +1-714-530-0707 / www.zalman.com / e-mail: zalman@zalmanusa.com